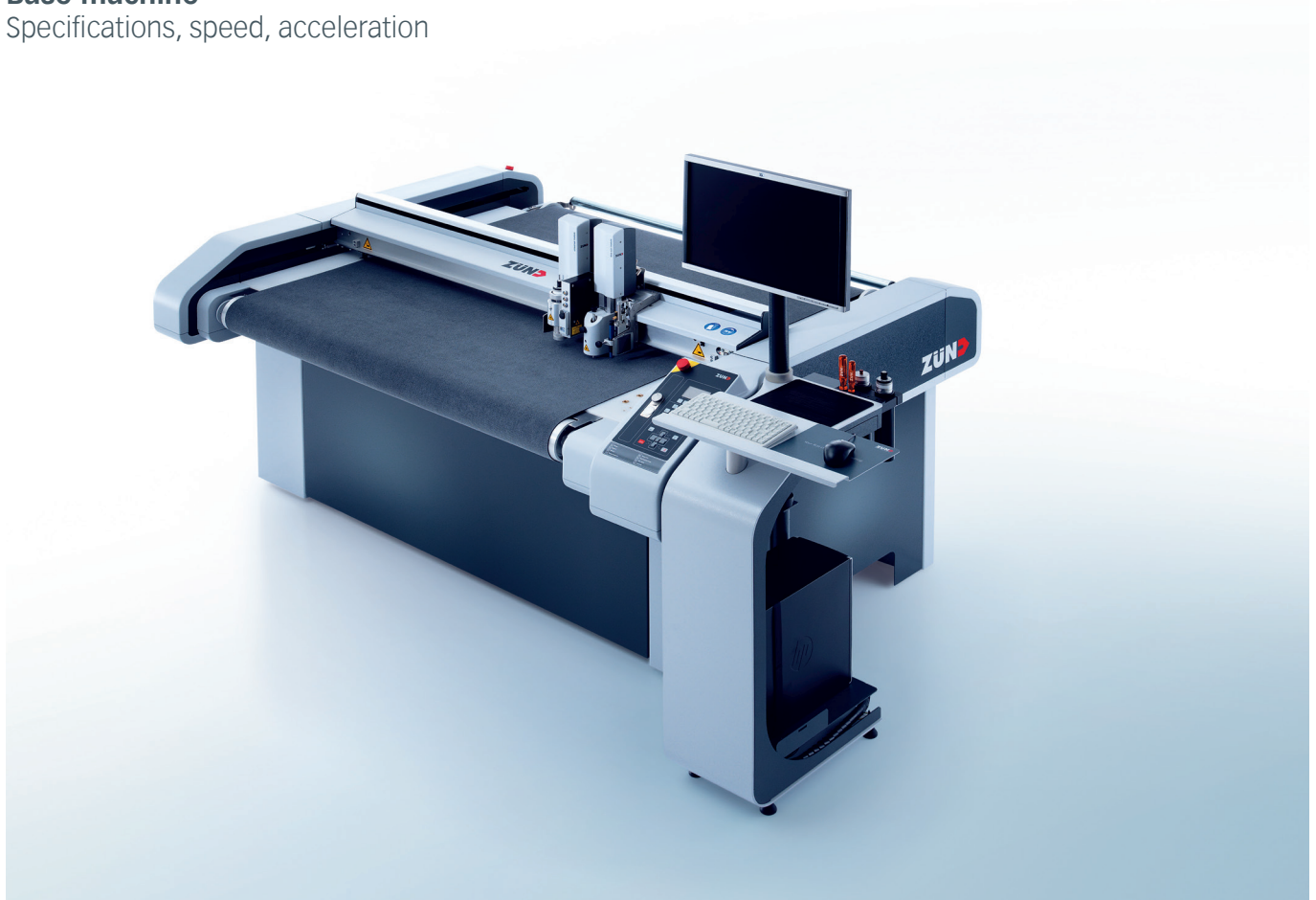


Technical Data S3

Base machine

Specifications, speed, acceleration



ZST-01-2019-m&k

Specifications

| | |
|---------------------------------|--|
| repeatability ¹⁾ | $\pm 0,03 \text{ mm}^* / \pm 0.001''^*$ |
| position accuracy ¹⁾ | $\pm 0,1 \text{ mm/m} / \pm 0.0012''/\text{ft} + \text{repeatability}^*$ |
| floor load requirements | 200 kg/m ² / 45 lbs/ft ² |
| interface | RS232C/V24, Ethernet 10/100Mbit |
| operating temperature | 10 - 35 °C / 50-95 °F |
| relative humidity | 10-80 % non condensing |
| noise emission ²⁾ | < 75 dB(A) |
| max. material thickness | 25 mm / 0.9" |
| max. material weight | 10 kg/m ² / 2 lbs/ft ² (can affect the evenness of the working surface) |
| electrical requirements | 3ph+N+GND, 208 V, 50/60 Hz, 20 A 3ph+N+GND, 400 V, 50/60 Hz, 16 A |

Speed, acceleration ³⁾

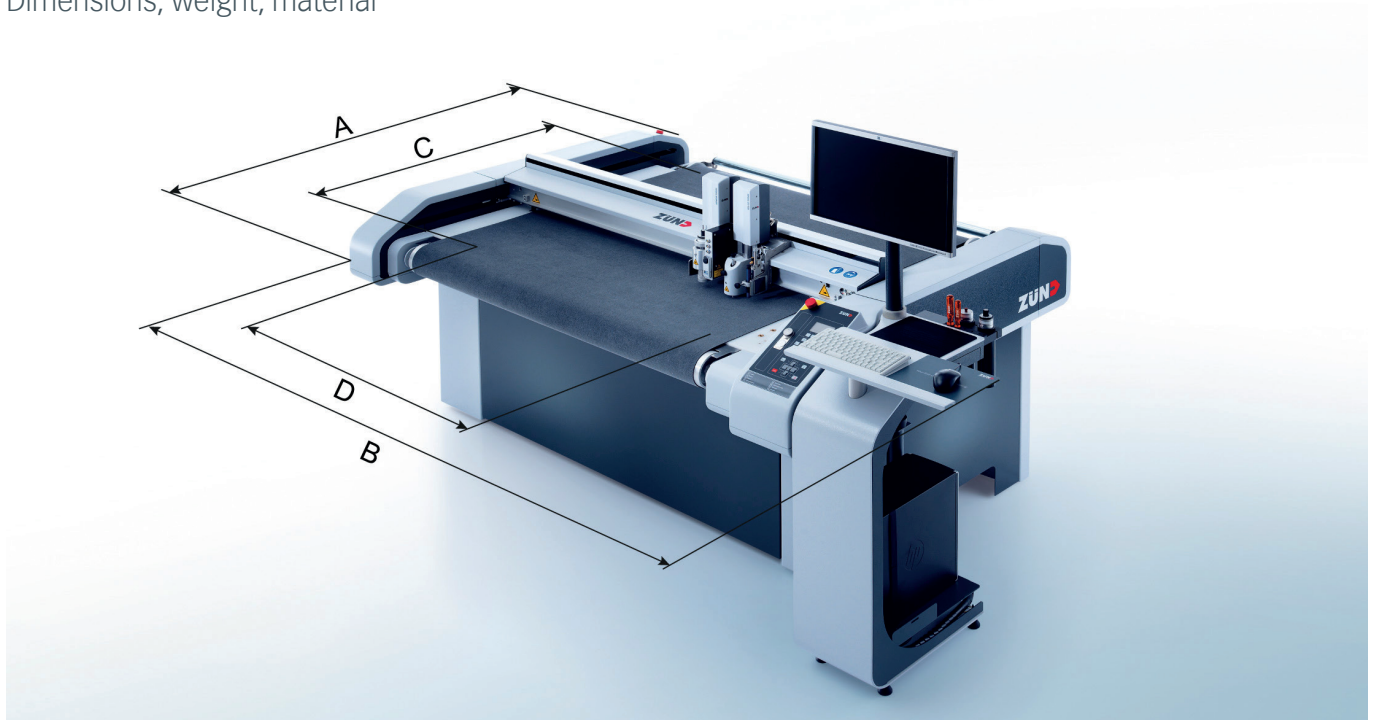
| | |
|-----------------------------------|---|
| max. speed X/Y-axis | 1414 mm/s / 55"/s |
| max. acceleration X/Y-axis | 14,1 m/s ² / 555"/s ² |
| max. speed Z-axis | 500 mm/s / 20"/s |
| max. acceleration Z-axis | 64 m/s ² / 2520"/s ² |
| max. rotation speed T-axis | 110 rad/s |
| max. rotation acceleration T-axis | 4602 rad/s ² |

- 1) X/Y drive system, static, at constant operating temperature (may vary depending on cutting tool/method).
- 2) Noise levels may vary between <75 dB(A) and ~85 dB(A) depending on ambient conditions and type of cutting technology, materials, and vacuum generator being used.
- 3) Depending on cutter size, modules.

Technical Data S3

Base machine

Dimensions, weight, material



| Type | Working area (C x D) | Overall dimensions, incl. workstation (A x B) | Machine weight |
|----------------|-------------------------------|---|-------------------|
| M-800 | 830 mm x 1330 mm / 32" x 52" | 1540 mm x 2610 mm / 60" x 103" | 420 kg / 925 lbs |
| M-1200 | 1230 mm x 1330 mm / 48" x 52" | 1940 mm x 2610 mm / 76" x 103" | 490 kg / 1080 lbs |
| M-1600 | 1630 mm x 1330 mm / 64" x 52" | 2340 mm x 2610 mm / 92" x 103" | 560 kg / 1235 lbs |
| L-1200 | 1230 mm x 1800 mm / 48" x 70" | 1940 mm x 3080 mm / 76" x 121" | 560 kg / 1235 lbs |
| L-1600 | 1630 mm x 1800 mm / 64" x 70" | 2340 mm x 3080 mm / 92" x 121" | 610 kg / 1345 lbs |
| XL-1200 | 1230 mm x 2270 mm / 48" x 89" | 1940 mm x 3550 mm / 76" x 140" | 620 kg / 1365 lbs |

| Type | max. materialwidth cutter with static work surface | max. materialwidth cutter with material transport |
|------------------|--|---|
| M-series | 1580 mm / 62" | 1330 mm / 52" |
| L-series | 2050 mm / 80" | 1800 mm / 70" |
| XL-series | 2520 mm / 99" | 2270 mm / 89" |

Technical data subject to change without notice.